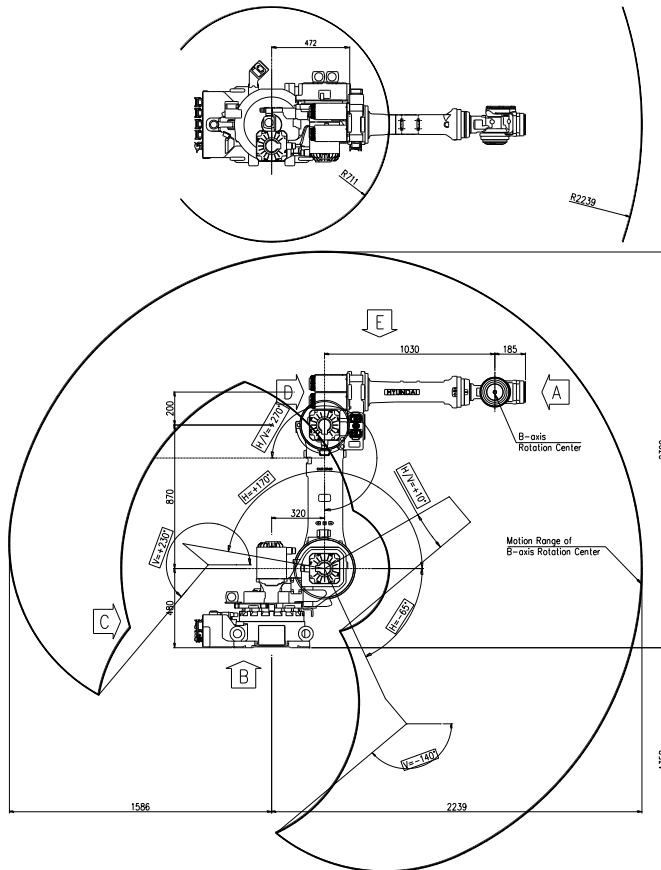


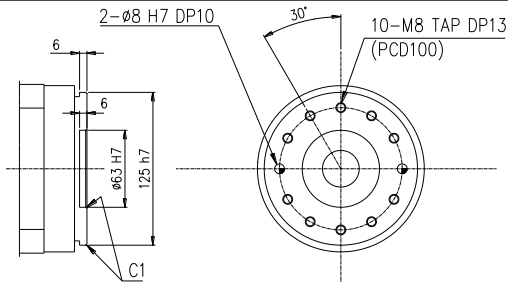
YS080

Payload 80Kgf

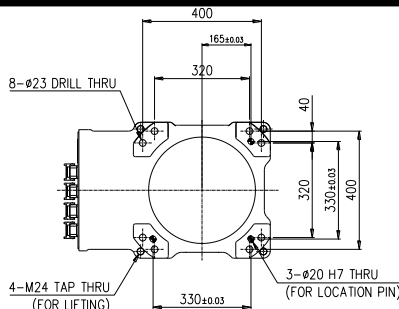
Installation method		Application	
Floor	●	Spot welding	●
Ceiling	●	Arc welding	●
Wall surface	●	Handling	●
		Assembly	●
		Sealing	●
		Painting	●



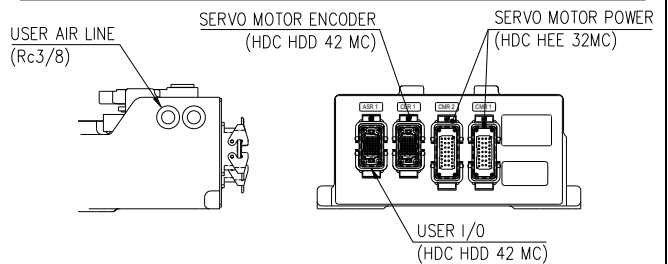
View A: Detailed drawing of the wrist attachment part



View B: Dimensional drawing for the floor installation of the body

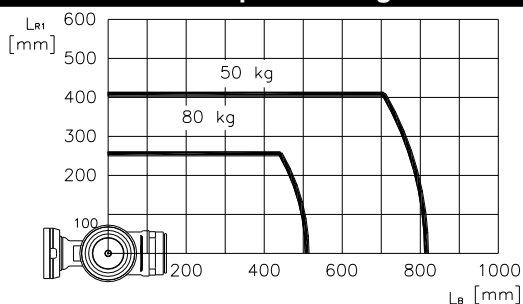


View C: Application cable connection part

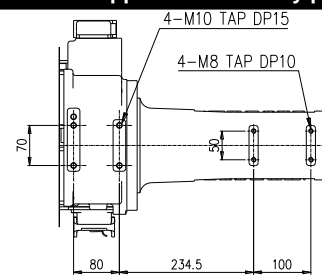


View D: Application cable connection part

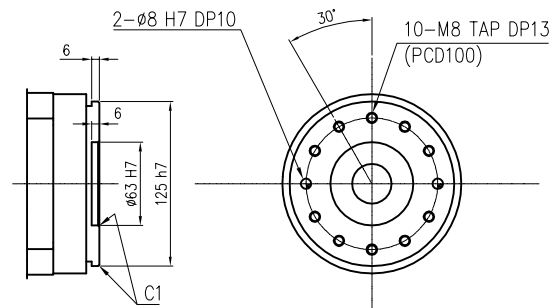
Wrist-axis torque line diagram



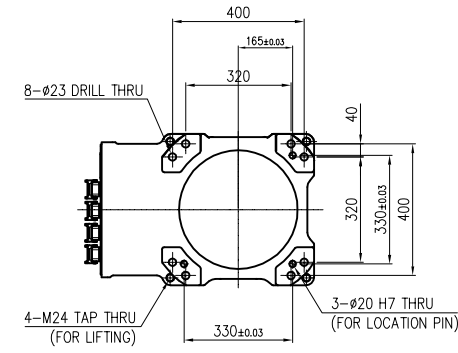
View E: Details of the application ancillary part attachment



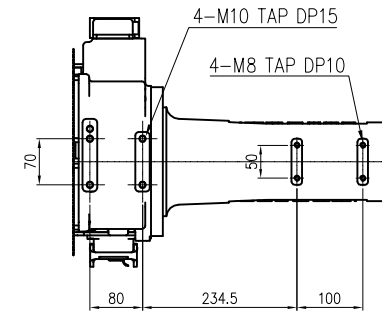
** For product improvement, some of the ratings, specifications, dimensions, etc. are subject to changes without notice.



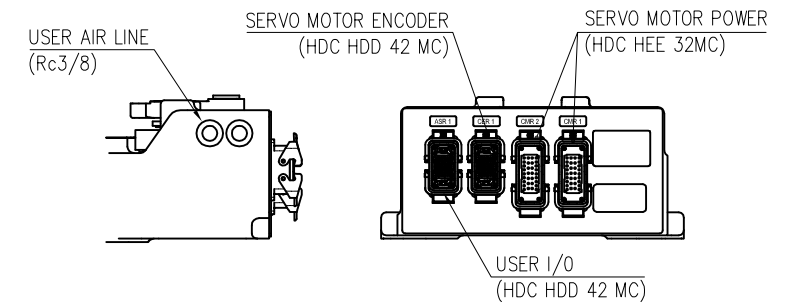
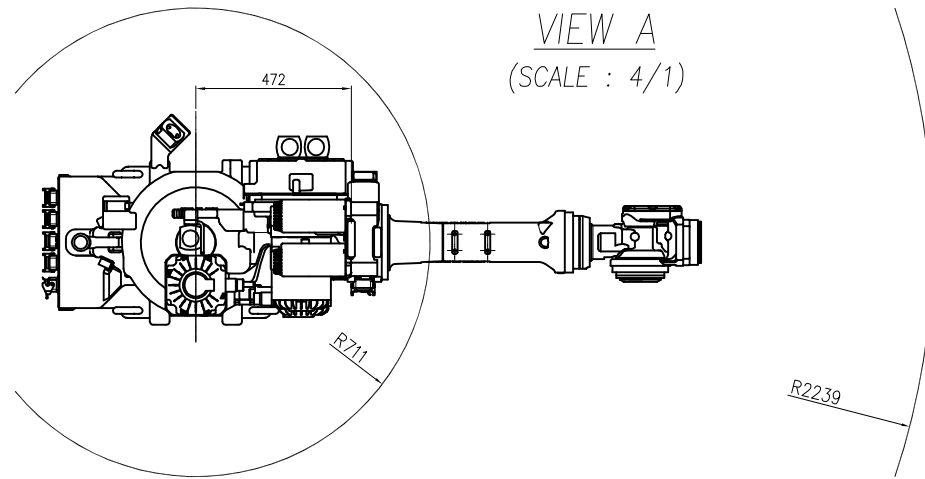
VIEW A
(SCALE : 4/1)



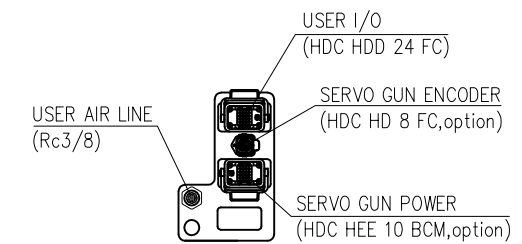
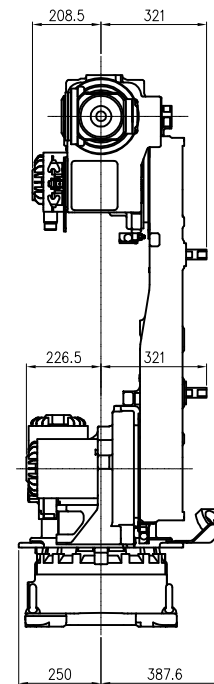
VIEW B



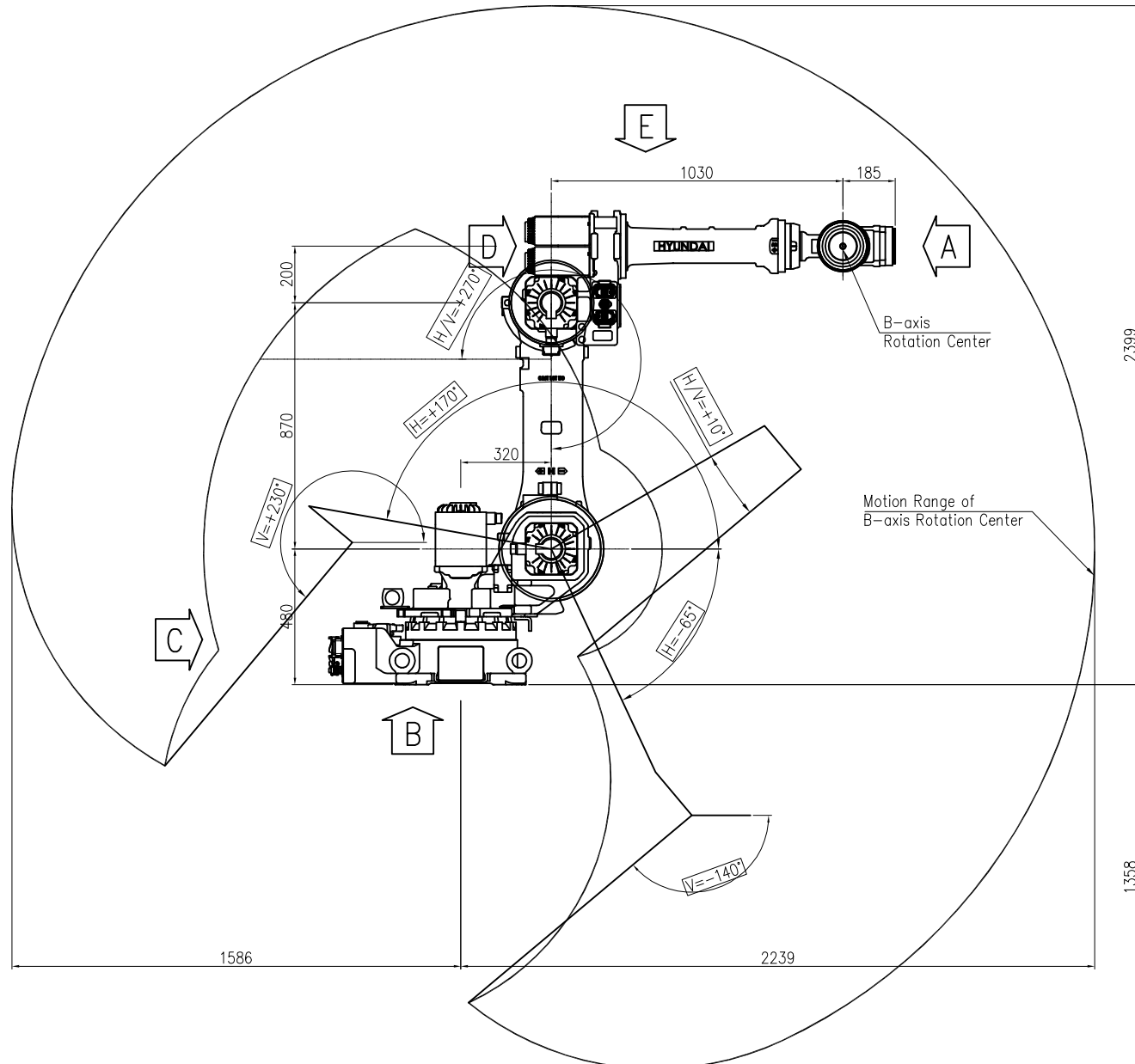
VIEW E
(SCALE : 2/1)



VIEW C
(SCALE 2/1)



VIEW D
(SCALE : 2/1)



TECHNICAL SPECIFICATION SUBJECT
TO CHANGE WITHOUT NOTICE

MODEL	YS080	issue.0
DATE	2018.06.19	

